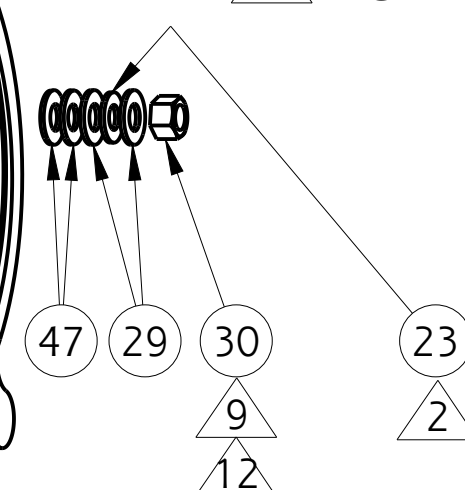
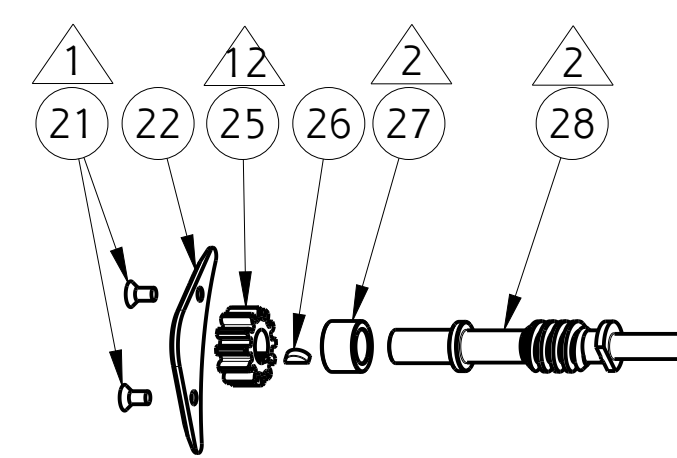
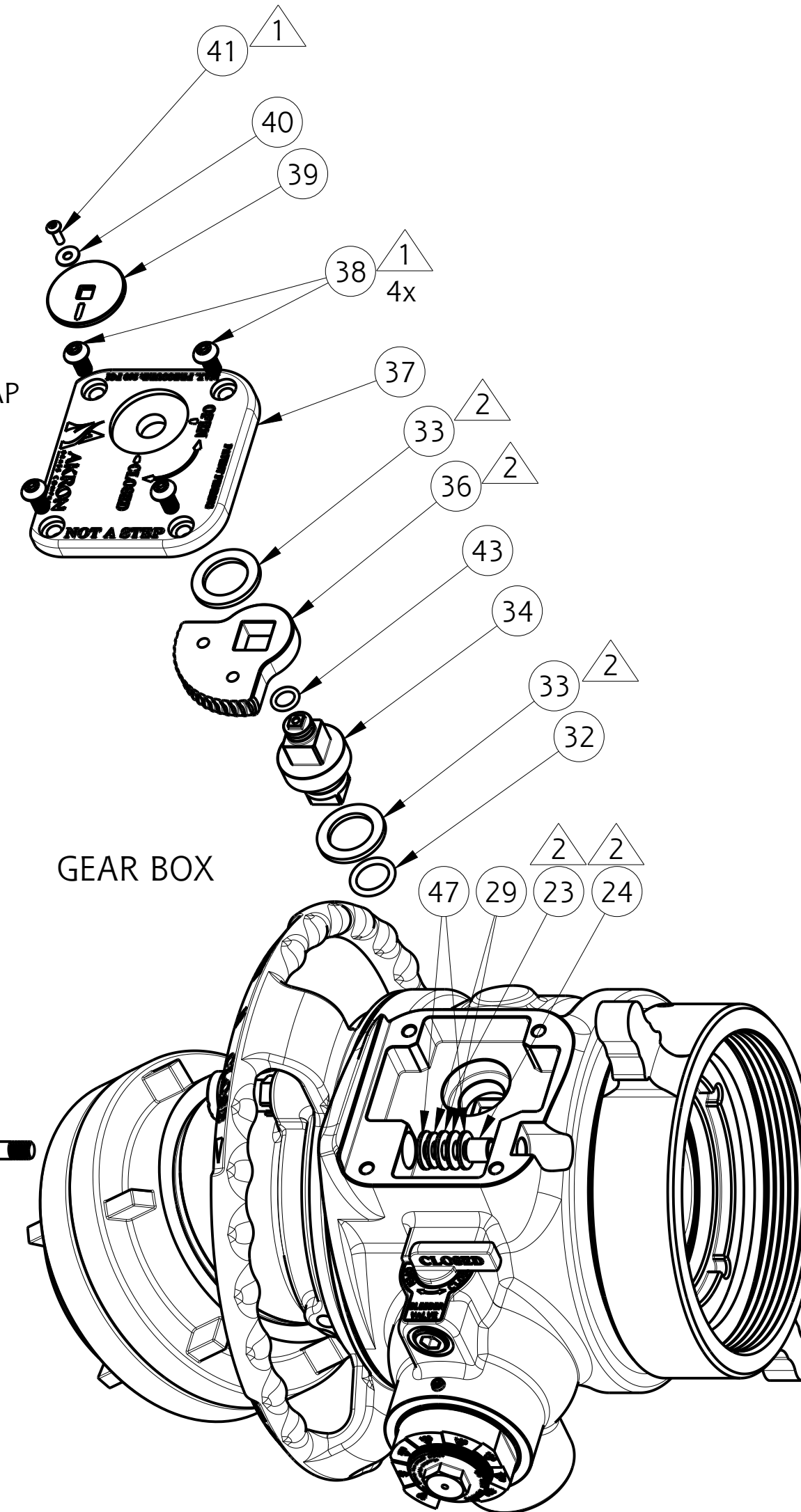
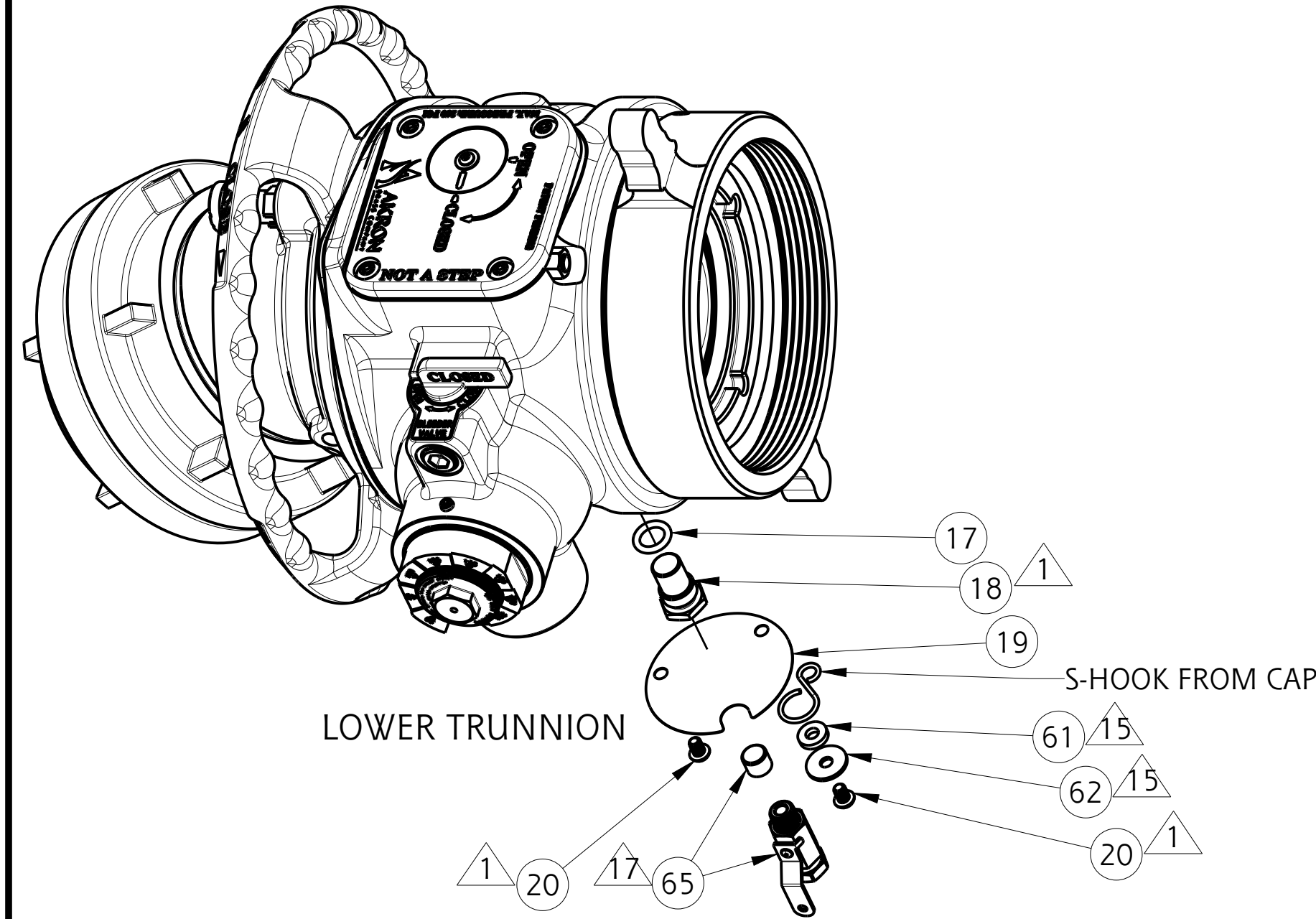
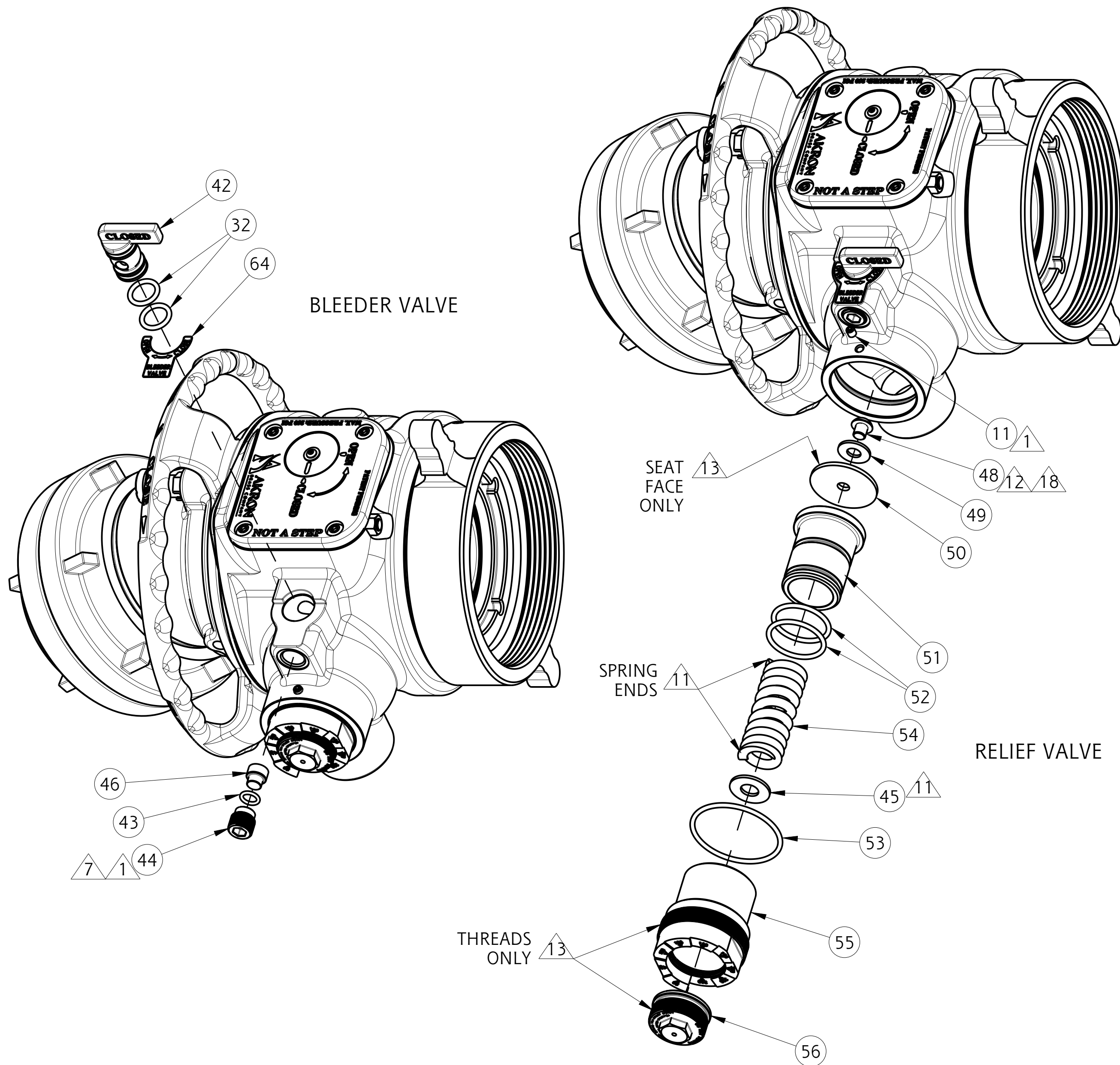


ASSEMBLY NOTES:

USE PARKER O-LUBE ON ALL O-RINGS AND MATING SURFACES UNLESS OTHERWISE NOTED.

- ① USE PERMABOND LM113 OR LOCTITE 222.
- ② USE MOBILITH SHC 460.
- ③ DIMPLE AT ASSEMBLY.
- ⑥ ALIGN BALL IN HOLE. TIGHTEN PLUG UNTIL TOUCHES BALL. THEN BACK OUT PLUG 1/4-1/2 TURN.
- ⑦ TIGHTEN UNTIL SLIGHT DRAG IS ON ITEM ④②.
- ⑨ TIGHTEN UNTIL ALL END PLAY IS ELIMINATED. SHAFT ASSEMBLY MUST STILL SPIN FREELY. DO NOT OVERTIGHTEN.
- ⑩ USE LOW-TEMP LUBRIPLATE.
- ⑪ USE NEVER SEEZ MARINERS CHOICE.
- ⑫ USE PRIMER T AND PERMABOND HH120 OR LOCTITE 277.
- ⑬ USE PARKER O-LUBE.
- ⑭ THOROUGHLY CLEAN THREADS OF PLUG AND MATING PART AND APPLY LOCTITE 425.
- ⑮ AS SPECIFIED.
- ⑯ MAY BE SUPPLIED WITH STORZ FITTING WHEN SPECIFIED.
- ⑰ OPTIONAL DRAIN VALVE LOCATION, USE PERMABOND LH050 OR LOCTITE 592.
- ⑱ TIGHTEN TO 50-55 IN-LBS.





ASSEMBLY NOTES:

USE PARKER O-LUBE ON ALL O-RINGS AND MATING SURFACES UNLESS OTHERWISE NOTED.

- 1 USE PERMABOND LM113 OR LOCTITE 222.
- 2 USE MOBILITH SHC 460.
- 3 DIMPLE AT ASSEMBLY.
- 6 ALIGN BALL IN HOLE. TIGHTEN PLUG UNTIL TOUCHES BALL. THEN BACK OUT PLUG 1/4-1/2 TURN.
- 7 TIGHTEN UNTIL SLIGHT DRAG IS ON ITEM 42.
- 9 TIGHTEN UNTIL ALL END PLAY IS ELIMINATED. SHAFT ASSEMBLY MUST STILL SPIN FREELY. DO NOT OVERTIGHTEN.
- 10 USE LOW-TEMP LUBRIPLATE.
- 11 USE NEVER SEEZ MARINERS CHOICE.
- 12 USE PRIMER T AND PERMABOND HH120 OR LOCTITE 277.
- 13 USE PARKER O-LUBE.
- 14 THOROUGHLY CLEAN THREADS OF PLUG AND MATING PART AND APPLY LOCTITE 425.
- 15 AS SPECIFIED.
- 16 MAY BE SUPPLIED WITH STORZ FITTING WHEN SPECIFIED.
- 17 OPTIONAL DRAIN VALVE LOCATION, USE PERMABOND LH050 OR LOCTITE 592.
- 18 TIGHTEN TO 50-55 IN-LBS.



TECHNICAL SERVICE PARTS

STYLE 7982, 7983

PRODUCT INTAKE VALVE

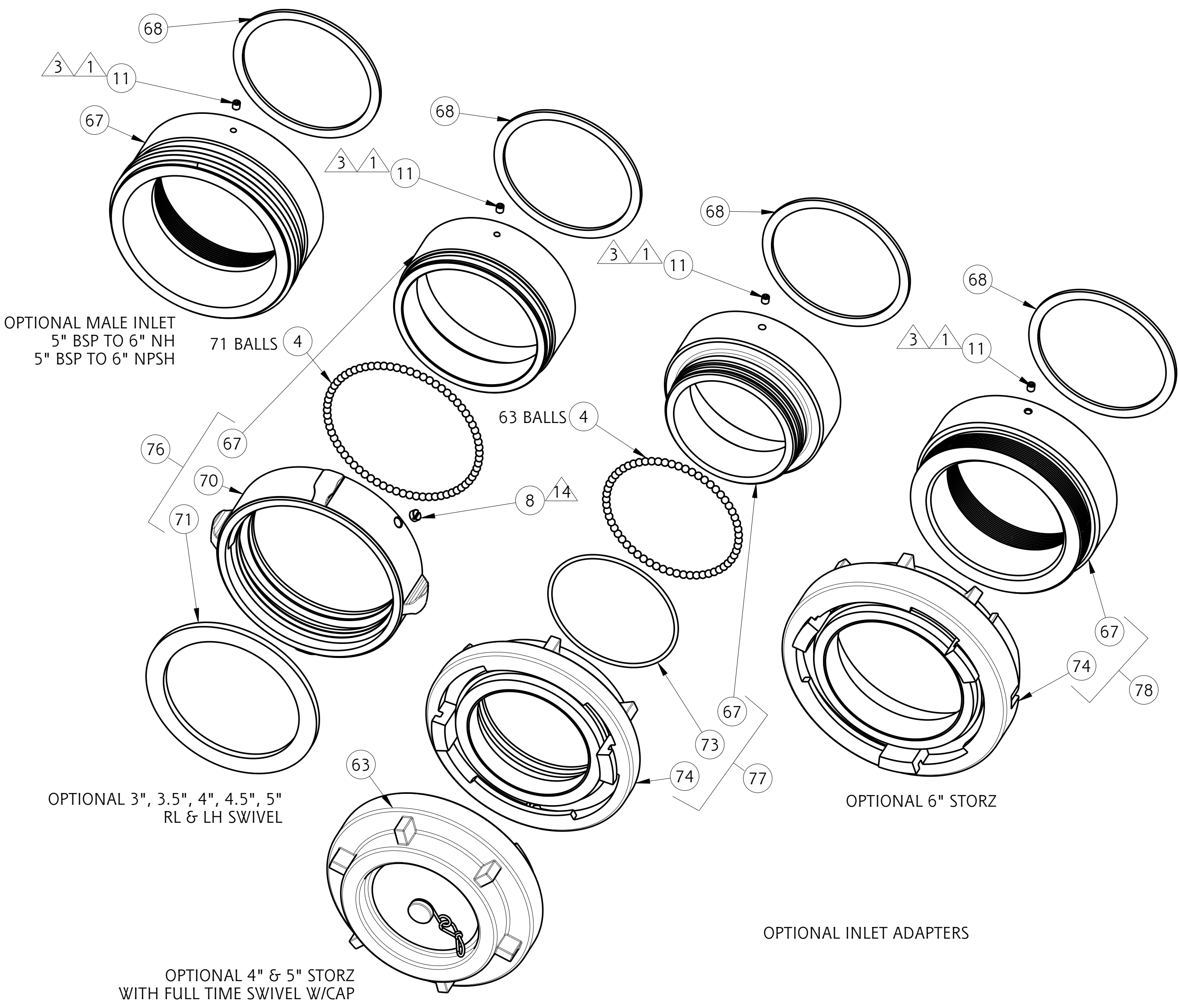
IF AN ITEM IS NOTED AS "NOT FIELD REPAIRABLE", OR YOU WISH TO RETURN AN ITEM TO AKRON BRASS FOR SERVICE PLEASE GO ONLINE TO, ONLINEREPAIR.AKRONBRASS.COM

Chg.	Date
08	08-17
09	10-17

ASSEMBLY NOTES:

USE PARKER O-LUBE ON ALL O-RINGS AND MATING SURFACES UNLESS OTHERWISE NOTED.

- 1 USE PERMABOND LM113 OR LOCTITE 222.
- 2 USE MOBILITH SHC 460.
- 3 DIMPLE AT ASSEMBLY.
- 6 ALIGN BALL IN HOLE. TIGHTEN PLUG UNTIL TOUCHES BALL. THEN BACK OUT PLUG 1/4-1/2 TURN.
- 7 TIGHTEN UNTIL SLIGHT DRAG IS ON ITEM 42.
- 9 TIGHTEN UNTIL ALL END PLAY IS ELIMINATED. SHAFT ASSEMBLY MUST STILL SPIN FREELY. DO NOT OVERTIGHTEN.
- 10 USE LOW-TEMP LUBRIPLATE.
- 11 USE NEVER SEEZ MARINERS CHOICE.
- 12 USE PRIMER T AND PERMABOND HH120 OR LOCTITE 277.
- 13 USE PARKER O-LUBE.
- 14 THOROUGHLY CLEAN THREADS OF PLUG AND MATING PART AND APPLY LOCTITE 425.
- 15 AS SPECIFIED.
- 16 MAY BE SUPPLIED WITH STORZ FITTING WHEN SPECIFIED.
- 17 OPTIONAL DRAIN VALVE LOCATION, USE PERMABOND LH050 OR LOCTITE 592.
- 18 TIGHTEN TO 50-55 IN-LBS.



PHONE: 330.264.5678 or 800.228.1161 | FAX: 330.264.2944 or 800.531.7335 | www.akronbrass.com

Parts List Sheet:

124912

WARRANTY AND DISCLAIMER*: We warrant Akron Brass products for a period of five (5) years* after purchase against defects in materials or workmanship. Akron Brass will repair or replace product which fails to satisfy this warranty. Repair or replacement shall be at the discretion of Akron Brass. Products must be promptly returned to Akron Brass for warranty service. We will not be responsible for: wear and tear; any improper installation, use, maintenance or storage; negligence of the owner or user; repair or modification after delivery; failure to follow our instructions or recommendations; or anything else beyond our control. WE MAKE NO WARRANTIES, EXPRESS OR IMPLIED, OTHER THAN THOSE INCLUDED IN THIS WARRANTY STATEMENT, AND WE DISCLAIM ANY IMPLIED WARRANTY OF MERCHANTABILITY OR FITNESS FOR ANY PARTICULAR PURPOSE. Further, we will not be responsible for any consequential, incidental or indirect damages (including, but not limited to, any loss of profits) from any cause whatsoever. No person has authority to change this warranty. *Unless otherwise provided herein. Akron Brass industrial electronic components & the Severe-Duty Monitor have a one (1) year warranty. Select Akron Brass handline nozzles and valves carry a ten (10) year warranty. Scene Star Lights carry a (6) year warranty. Weldon products have a two (2) year warranty from date of manufacture (excluding consumable components). Select Weldon LED products carry a five (5) year warranty. Honda products have the manufacturers' warranty and Akron Brass disclaims any warranty in respect of those products.

© 2016 Akron Brass Company. All rights reserved. No portion of this can be reproduced without the express written consent of the Akron Brass Company.



TECHNICAL SERVICE PARTS

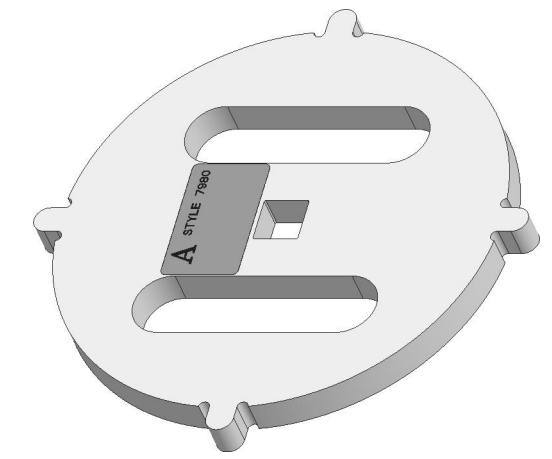
STYLE 7982, 7983
PRODUCT INTAKE VALVE

IF AN ITEM IS NOTED AS "NOT FIELD REPAIRABLE", OR YOU WISH TO RETURN AN ITEM TO AKRON BRASS FOR SERVICE PLEASE GO ONLINE TO, ONLINEREPAIR.AKRONBRASS.COM

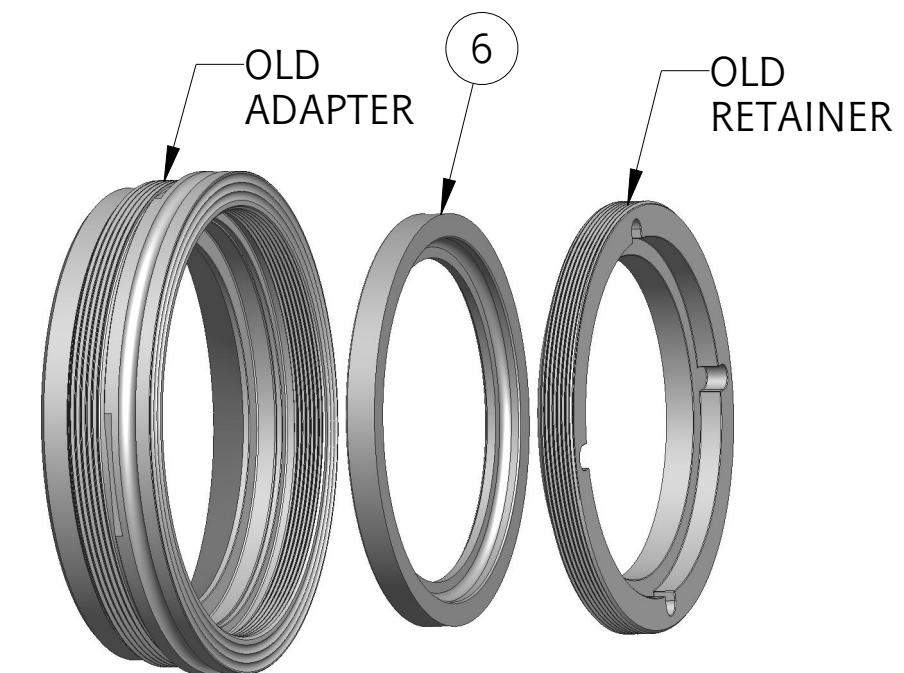
Chg.	Date
08	08-17
09	10-17

Find	Description	Item	QTY
1	VALVE BODY 5.5" SWIVEL STYLE 7982 - PAINTED RED	126483	1
1	VALVE BODY 5" BSP STYLE 7983 - PAINTED RED	126484	1
2	BALL ST. STL.	803173	1
3	## O-RING 2-260	-	1
4	*,** BALL 1/4" ST. STL.	-	242
5	SWIVEL ADAPTER	702236	1
6	##, @ SEAL BALL	-	1
7	@ RETAINER RING 5-3/4" INTERNAL	758351	1
8	** PLUG SWIVEL	-	3
9	### SWIVEL 6"NH LH	104053	1
9	### SWIVEL 5"NH RL	110081	1
9	### SWIVEL 6"NH 4RL	104019	1
10	## GASKET RUBBER 6"	-	1
10	## GASKET RUBBER 5"	-	1
11	SCREW SOCKET NYLOCK SET 1/4-20 x 5/16"	766015	3
12	HANDWHEEL	124906	1
13	*** O-RING 2-254	757491	1
14	*** 30 DEGREE ELBOW - PAINTED RED	126485	1
15	STORZ ADAPTER 5"/125MM W/LOCK, SEAL, GASKET	107071	1
15	STORZ ADAPTER 4"/100MM W/LOCK, SEAL, GASKET	116986	1
16	*** PLUNGER RETRACTABLE SPRING	745259	1
17	O-RING 2-207	757217	1
18	TRUNNION THREADED	772224	1
19	ID PLATE	745279	1
20	SCREW SOCKET BUTTON HEAD CAP 1/4-20 x 3/8	767190	2
21	SCREW SOCKET FLAT HEAD CAP #10-24 x 3/8	763065	2
22	DUST CAP	126011	1
23	WASHER UHMW	784250	2
24	BEARING .50 ID	803175	1

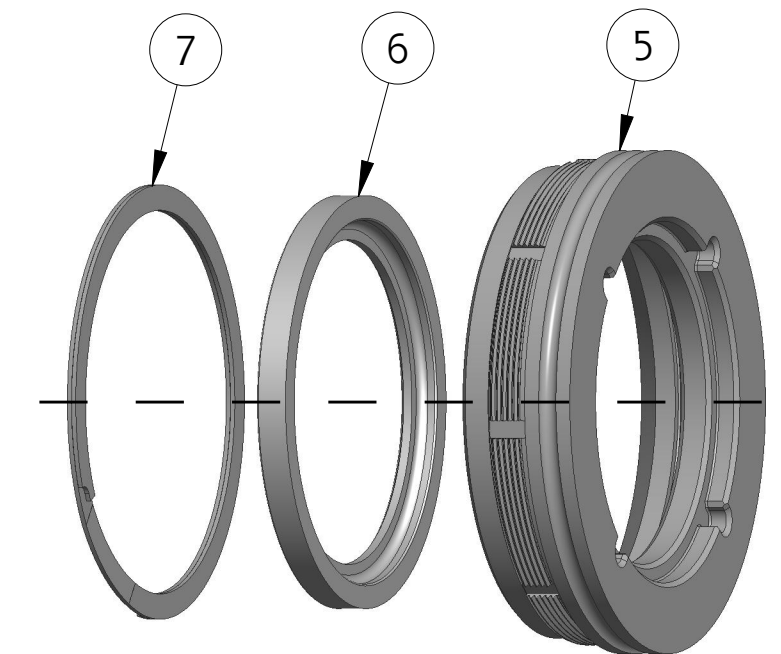
Find	Description	Item	QTY
25	GEAR	718314	1
26	WOODRUFF KEY 213 SS	727071	1
27	BEARING .75 ID	803176	1
28	SHAFT	770404	1
29	WASHER	784251	4
30	NUT HEX LOCK 3/8-16	734093	1
32	O-RING 2-210	757226	3
33	WASHER THRUST	784104	2
34	TRUNNION	124919	1
36	GEAR SECTOR LH	718316	1
37	CAP GEAR	125848	1
38	SCREW PAN HEAD 5/16-18 x 5/8	765368	4
39	INDICATOR	124916	1
40	WASHER	784252	1
41	SCREW BUTTON HEAD 8-32 x 1/2"	765370	1
42	VALVE HANDLE	124918	1
43	O-RING 2-111	757269	1
44	RETAINER SEAT	124915	1
45	BRASS WASHER	784034	1
46	SEAT	770424	1
47	SPRING WASHER	770423	4
48	SCREW HEX SOCKET BUTTON 3/8-16 x 1/2"	767159	1
49	WASHER 3/8	784126	1
50	SEAT	768457	1
51	RELIEF PLUNGER	124922	1
52	O-RING 2-222	757006	2
53	O-RING 2-231	757126	1
54	SPRING	770422	1
55	RELIEF BODY	124917	1
56	RELIEF ADJUSTMENT NUT	124911	1



REPAIR TOOL 79801047 IS AVAILABLE FOR ITEM 5 TO REMOVE SEAL ITEM 6



@ IF YOU HAVE THE ABOVE CONFIGURATION AND YOU ARE REPLACING THE SEAL - ITEM 6 YOU MUST ORDER ITEMS 5 AND 7 TO MATCH NEW SEAL CONFIGURATION AS SHOWN BELOW



* THE INLET AND OUTLET BOTH USE BALL BEARING SWIVELS. THE QUANTITY USED IS AS FOLLOWS:
 3" INLET FEMALE - 47
 4" INLET FEMALE - 58
 4.5" INLET FEMALE - 69
 5" INLET FEMALE - 72
 4" INLET STORZ - 54
 5" INLET STORZ - 61
 5" OR 6" OUTLET SWIVEL - 88

** KIT OF 50 BALLS: 123074, INCLUDES ITEM 8 (1x).
 *** 7982 ONLY.
 # OPTIONAL DRAFTING GASKETS FOR STORZ
 4" P/N - 714211
 5" P/N - 714212
 6" P/N - 714213
 ## FOR ITEMS 3, 6, 10 ORDER REPAIR KIT 91690001,@
 ### FOR OTHER THREADS ORDER BY DESCRIPTION AND THREAD SIZE (ODM & TPI) OR BY AKRON THREAD CODE.

PHONE: 330.264.5678 or 800.228.1161 | FAX: 330.264.2944 or 800.531.7335 | www.akronbrass.com

Parts List Sheet:

124912

WARRANTY AND DISCLAIMER*: We warrant Akron Brass products for a period of five (5) years* after purchase against defects in materials or workmanship. Akron Brass will repair or replace product which fails to satisfy this warranty. Repair or replacement shall be at the discretion of Akron Brass. Products must be promptly returned to Akron Brass for warranty service. We will not be responsible for: wear and tear; any improper installation, use, maintenance or storage; negligence of the owner or user; repair or modification after delivery; failure to follow our instructions or recommendations; or anything else beyond our control. WE MAKE NO WARRANTIES, EXPRESS OR IMPLIED, OTHER THAN THOSE INCLUDED IN THIS WARRANTY STATEMENT, AND WE DISCLAIM ANY IMPLIED WARRANTY OF MERCHANTABILITY OR FITNESS FOR ANY PARTICULAR PURPOSE. Further, we will not be responsible for any consequential, incidental or indirect damages (including, but not limited to, any loss of profits) from any cause whatsoever. No person has authority to change this warranty. *Unless otherwise provided herein. Akron Brass industrial electronic components & the Severe-Duty Monitor have a one (1) year warranty. Select Akron Brass handline nozzles and valves carry a ten (10) year warranty. Scene Star Lights carry a (6) year warranty. Weldon products have a two (2) year warranty from date of manufacture (excluding consumable components). Select Weldon LED products carry a five (5) year warranty. Honda products have the manufacturers' warranty and Akron Brass disclaims any warranty in respect of those products.
 © 2016 Akron Brass Company. All rights reserved. No portion of this can be reproduced without the express written consent of the Akron Brass Company.



TECHNICAL SERVICE PARTS

STYLE 7982, 7983

PRODUCT INTAKE VALVE

IF AN ITEM IS NOTED AS "NOT FIELD REPAIRABLE", OR YOU WISH TO RETURN AN ITEM TO AKRON BRASS FOR SERVICE PLEASE GO ONLINE TO, **ONLINEREPAIR.AKRONBRASS.COM**

Chg.	Date
08	08-17
09	10-17

Find	Description	Item	QTY
61	WASHER THICK	784253	1
62	WASHER LARGE O.D.	784254	1
63	CAP STORZ 4"W/CHAIN	707359	1
63	CAP STORZ 5"W/CHAIN	707360	1
63	CAP STORZ 6"W/CHAIN	707373	1
64	LABEL BLEEDER VALVE	729812	1
65	PLUG 1/4 NPT	744011	1
	DRAIN VALVE	779096	1
68	GASKET 5" BSP	714209	1
73	### INLET ADAPTER 4"NH/M	116895	1
67	### INLET ADAPTER 4.5"NH/M	116891	1
67	### INLET ADAPTER 5"NH/M	116892	1
67	### INLET ADAPTER 6"NH/M	116893	1
75	WASHER FLAT	784256	1
76	INLET SWIVEL ADAPTER 3"BB	126045	1
	### SWIVEL 3"NH 3RL	104013	1
	GASKET 3"	714022	1
76	INLET SWIVEL ADAPTER 4"BB	116886	1
	### SWIVEL 4"NH LH	104049	1
	GASKET 4"	714024	1
76	INLET SWIVEL ADAPTER 4.5"BB	116888	1
	### SWIVEL 4.5"NH 4RL	104016	1
	### SWIVEL 4.5"NH LH	104050	1
	GASKET 4.5"	714025	1
76	INLET SWIVEL ADAPTER 5"BB	116889	1
	### SWIVEL 5"NH 4RL	104017	1
	GASKET 5"	714026	1
77	INLET SWIVEL ADAPTER 4"STORZ	116887	1
	O-RING 2-243	757337	1
77	# SWIVELING STORZ ADAPTER 4"/100MM W/LOCK, SEAL, GASKET	713205	1
	INLET SWIVEL ADAPTER 5"STORZ	116890	1
	O-RING 2-247	757078	1
77	# SWIVELING STORZ ADAPTER 5"/125MM W/LOCK, SEAL, GASKET	713206	1
	INLET ADAPTER 6"STORZ	116896	1
78	# STORZ ADAPTER 6"/150MM W/LOCK, SEAL, GASKET	116897	1

PHONE: 330.264.5678 or 800.228.1161 | FAX: 330.264.2944 or 800.531.7335 | www.akronbrass.com

Parts List Sheet:

124912

WARRANTY AND DISCLAIMER*: We warrant Akron Brass products for a period of five (5) years* after purchase against defects in materials or workmanship. Akron Brass will repair or replace product which fails to satisfy this warranty. Repair or replacement shall be at the discretion of Akron Brass. Products must be promptly returned to Akron Brass for warranty service. We will not be responsible for: wear and tear; any improper installation, use, maintenance or storage; negligence of the owner or user; repair or modification after delivery; failure to follow our instructions or recommendations; or anything else beyond our control. WE MAKE NO WARRANTIES, EXPRESS OR IMPLIED, OTHER THAN THOSE INCLUDED IN THIS WARRANTY STATEMENT, AND WE DISCLAIM ANY IMPLIED WARRANTY OF MERCHANTABILITY OR FITNESS FOR ANY PARTICULAR PURPOSE. Further, we will not be responsible for any consequential, incidental or indirect damages (including, but not limited to, any loss of profits) from any cause whatsoever. No person has authority to change this warranty. *Unless otherwise provided herein. Akron Brass industrial electronic components & the Severe-Duty Monitor have a one (1) year warranty. Select Akron Brass headline nozzles and valves carry a ten (10) year warranty. Scene Star Lights carry a (6) year warranty. Weldon products have a two (2) year warranty from date of manufacture (excluding consumable components). Select Weldon LED products carry a five (5) year warranty. Honda products have the manufacturers' warranty and Akron Brass disclaims any warranty in respect of those products.

© 2016 Akron Brass Company. All rights reserved. No portion of this can be reproduced without the express written consent of the Akron Brass Company.

D47460